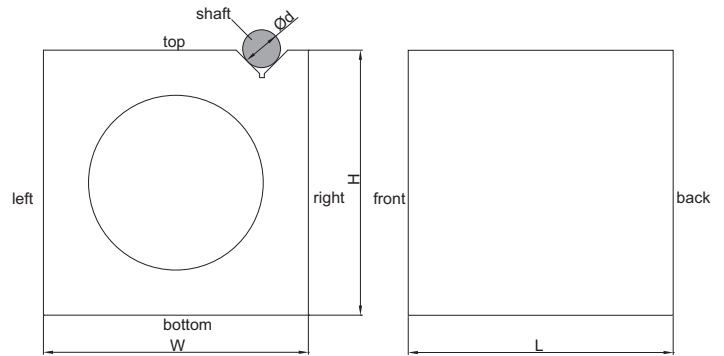


GRANITE SQUARE AND V-BLOCK



4142-160



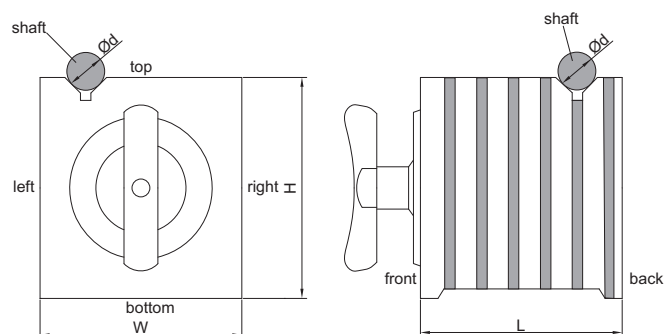
- Thread holes: M8

Code	Size(LxWxH)	Range of shafts ($\varnothing d$)	Parallelism or squareness between top, bottom, left, right and back sides	Parallelism of V groove to left, right, top and bottom sides	Squareness of V groove to back side
4142-160	160x160x160mm	6-42mm	8 μ m	8 μ m	8 μ m

MAGNETIC SQUARE AND V-BLOCK



6510-1A



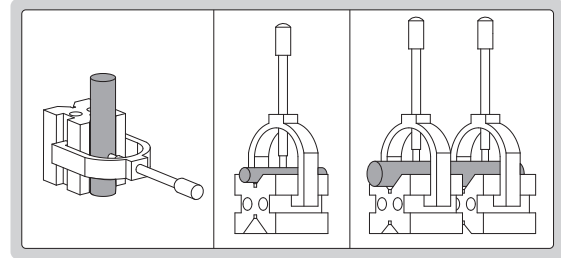
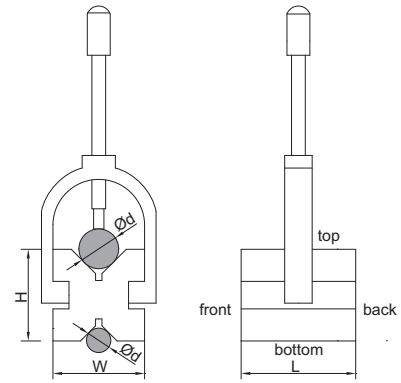
Code	Size(LxWxH)	Magnetic force	Range of shafts ($\varnothing d$)	Parallelism or squareness between top, bottom, left, right and back sides	Parallelism or squareness of both V grooves to top, bottom, left, right and back sides
6510-1A	100x100x100mm	30kgf	6-36mm	10 μ m	10 μ m
6510-2A	150x150x150mm	30kgf	6-44mm	15 μ m	15 μ m

V-BLOCK SET



6896-11

- Hold cylindrical workpieces for inspection and machining
- Two V-blocks per set
- Hardened to HRC60±2
- V groove on the top for large shafts
- V groove on the bottom for small shafts



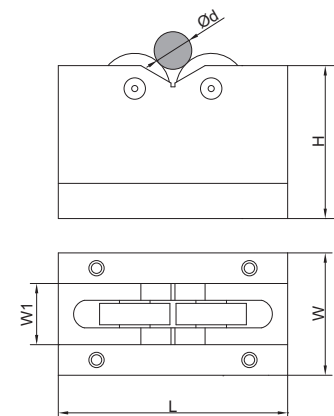
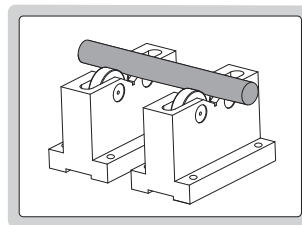
Code	Size(LxWxH)	Range of shafts (Ød)	Parallelism of both V grooves to top and bottom sides	Squareness of both V grooves to front and back sides	Height difference of a matched pair
6896-11	50x40x40mm	5 - 40mm	5µm	5µm	5µm
6896-12	80x63x63mm	7 - 63mm	5µm	5µm	5µm
6896-13	100x80x80mm	7 - 80mm	5µm	5µm	5µm

ROLLER BEARING V-BLOCK SET



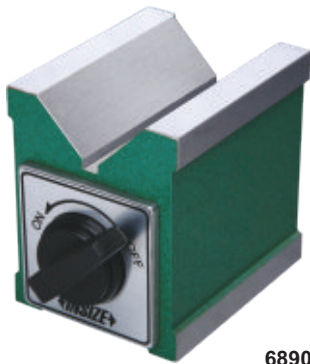
6888-1

- Two V-blocks per set
- Workpieces don't get damaged due to bearings
- Suitable for heavy workpieces



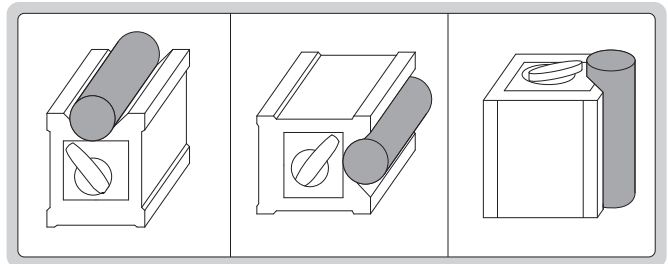
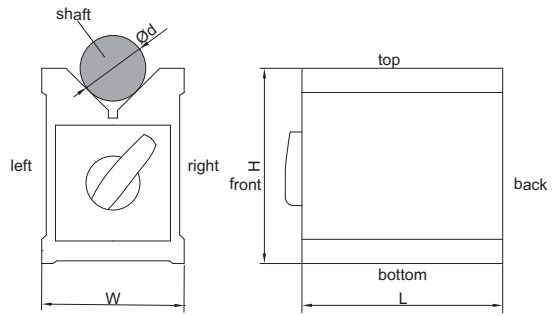
Code	Size (LxWxH)	Range of shafts (Ød)	Parallelism of bearings to bottom (when two V-blocks are closed)	Load capacity	W1
6888-1	150x60x100mm	25 - 70mm	5µm	500kg	22mm
6888-2	150x80x100mm	3 - 55mm	5µm	1000kg	40mm
6888-3	230x100x150mm	70 - 200mm	5µm	1000kg	60mm

MAGNETIC V-BLOCK



6890-702

- Hold cylindrical workpieces for inspection and machining
- Supplied in single piece
- Not hardened
- Not suitable for cast iron surface plates



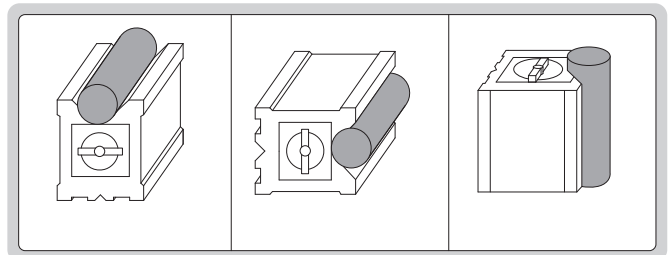
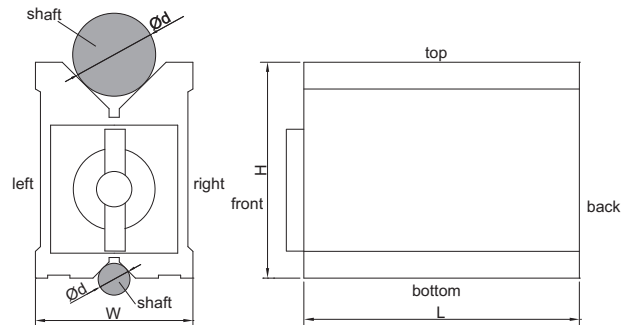
Code	Size(LxWxH)	Range of shafts ($\varnothing d$)	Magnetic force	Parallelism of V groove to top, bottom, left and right sides	Squareness of V groove to back side
6890-702	70x60x73mm	6-44mm	56kgf	10 μ m	10 μ m

MAGNETIC V-BLOCK



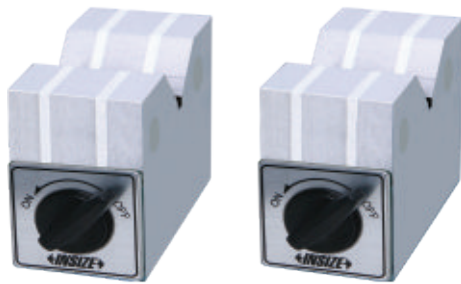
6801-1201

- Hold cylindrical workpieces for inspection and machining
- Supplied in single piece
- Not hardened
- V groove on the top for large shafts
- V groove on the bottom for small shafts
- Not suitable for cast iron surface plates



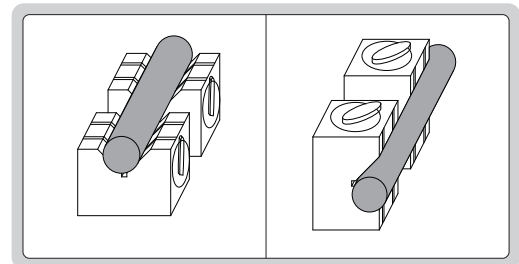
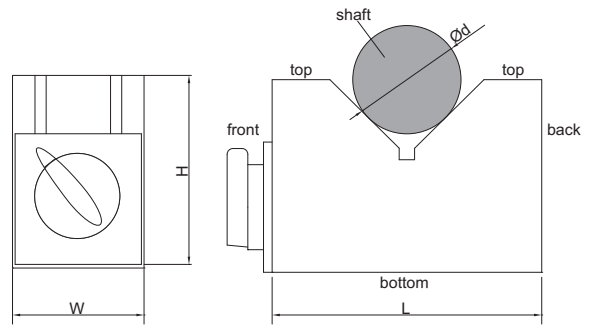
Code	Size(LxWxH)	Range of shafts ($\varnothing d$)	Magnetic force	Parallelism of both V grooves to top, bottom, left, right side	Squareness of both V grooves to back side
6801-1201	80x70x95mm	6-67mm	64kgf	10 μ m	10 μ m
6801-1202	100x70x95mm	6-67mm	80kgf	10 μ m	10 μ m
6801-1203	120x70x95mm	6-67mm	96kgf	10 μ m	10 μ m

MAGNETIC V-BLOCK SET



6891-1

- Hold cylindrical workpieces for inspection, not suitable for machining due to weak magnetic force
- Two V-blocks per set



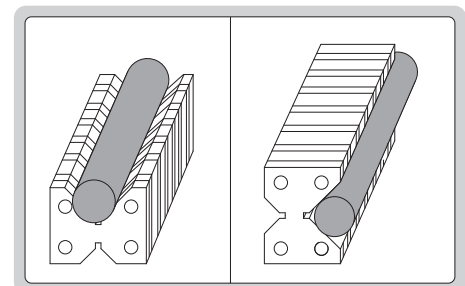
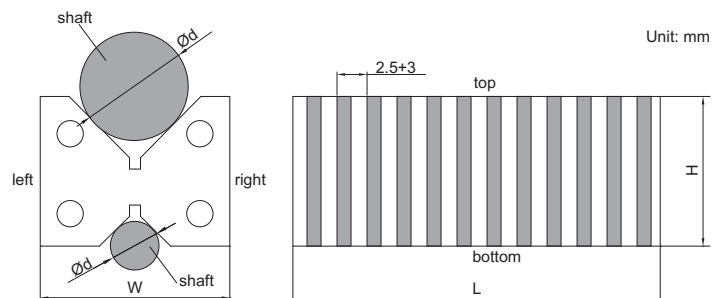
Code	Size(LxWxH)	Range of shafts ($\varnothing d$)	Magnetic force	Parallelism of V groove to bottom and back sides	Height difference of a matched pair
6891-1	70x40x50mm	6 - 46mm	8kgf	10 μ m	10 μ m
6891-3	150x50x100mm	6 - 125mm	14kgf	10 μ m	10 μ m

MAGNETIC INDUCTION V-BLOCK



6892-1

- Hold cylindrical workpieces for inspection and machining
- To be used on magnetic chucks
- Supplied in single piece
- V groove on the top for large shafts
- V groove on the bottom for small shafts



Code	Size(LxWxH)	Range of shafts ($\varnothing d$)	Pole pitch	Parallelism of both V grooves to top, bottom, left, right sides
6892-1	110x60x48mm	6 - 50mm	2.5+3mm	10 μ m

BLOCO EM "V" FRESADO EM FoFo



CÓDIGO	DISTÂNCIA	LARGURA	ALTURA	PESO (kg)	Ø mm
V-2V	51mm	48mm	32mm	0,5	25
V-3V	76mm	62mm	53mm	1,5	44
V-4V	102mm	82mm	60mm	2,5	56
V-5V	126mm	102mm	79mm	4.3	64
V-6V	150mm	124mm	88mm	6.4	81
V-7V	178mm	152mm	115mm	12	85.4
V-8V	202mm	174mm	140mm	16.7	116

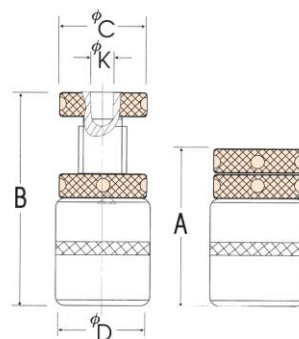
DISPOSITIVOS DE REGULAGEM DE ALTURA



Código	Capacidade Ajustável (mm)	ØD (mm)	Peso (g)
VSJ-70	65-80	38	430
VSJ-150	110-150	50	1160
VSJ-250	140-200	53	2220
VSJ-500	230-380	73	4500

WWW.METALSYSTEM.LIND.BR 51-303749

DISPOSITIVO DE REGULAGEM DE ALTURA COM SISTEMA MAGNÉTICO



Código	A (mm)	B (mm)	C (mm)	D (mm)	K (mm)	Peso Bruto (kg)
VSJM-50	40	50	35	40	11,5	0,32
VSJM-70	50	65	35	40	11,5	0,40
VSJM-85	65	85	40	45	11,5	0,62
VSJM-110	85	110	40	45	11,5	0,79
VSJM-165	110	165	45	50	11,5	1,37

BLOCOS PARARELOS



- * Fornecido em pares para uso em inspeção e apoio de peças
- * Acompanha parafusos e chave de aperto

φ

Código	Dimensões	Perpendicularidade	Paralelismo
6531-1	25x50x75mm	0.0025mm	0.005mm
6531-2	25x50x100mm	0.0075mm	0.005mm
6531-3	25x75x100mm	0.0075mm	0.005mm
6531-4	25x100x150mm	0.0075mm	0.005mm

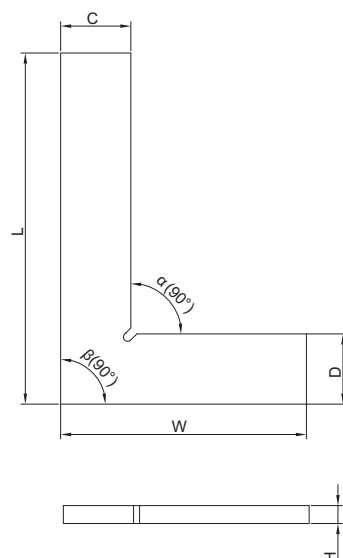
90° FLAT EDGE SQUARE



4791-100

(mm)

Code	Size(LxW)	Squareness		C	D	H
		Inside(α)	Outside(β)			
4791-50	50x40mm	6 μ m	6 μ m	13	13	4
4791-75	75x50mm	6 μ m	7 μ m	15	15	4
4791-100	100x70mm	7 μ m	7 μ m	20	20	5
4791-150	150x100mm	7 μ m	8 μ m	30	30	6
4791-200	200x130mm	8 μ m	9 μ m	30	30	7
4791-250	250x165mm	9 μ m	10 μ m	35	35	7
4791-300	300x200mm	10 μ m	11 μ m	40	40	8



- DIN875 grade 0
- Made of hardened stainless steel

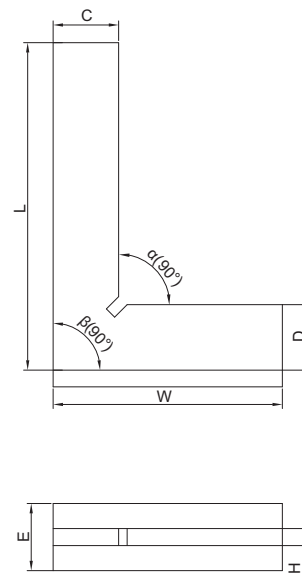
90° FLAT EDGE SQUARE WITH WIDE BASE



4793-100

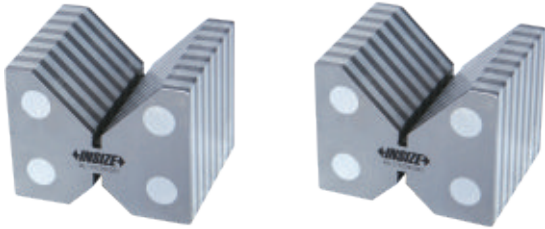
(mm)

Code	Size(LxW)	Squareness		C	D	H	E
		Inside(α)	Outside(β)				
4793-50	50x40mm	6 μ m	6 μ m	13	13	4	13
4793-75	75x50mm	6 μ m	7 μ m	15	15	4	15
4793-100	100x70mm	7 μ m	7 μ m	20	20	5	20
4793-150	150x100mm	7 μ m	8 μ m	30	30	6	30
4793-200	200x130mm	8 μ m	9 μ m	30	30	7	30
4793-250	250x165mm	9 μ m	10 μ m	35	35	7	35
4793-300	300x200mm	10 μ m	11 μ m	40	40	8	40



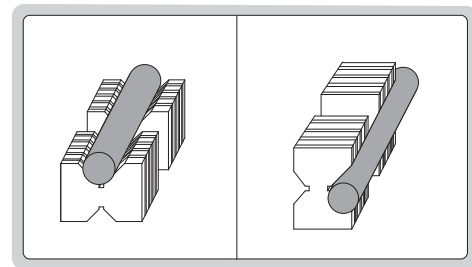
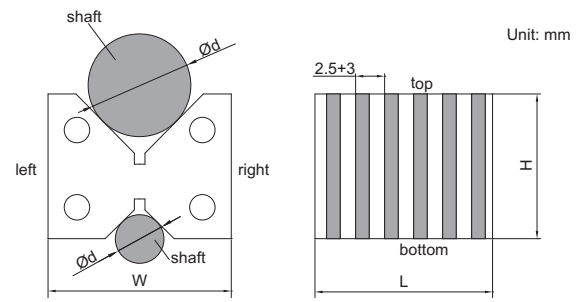
- DIN875 grade 0
- Made of hardened stainless steel

MAGNETIC INDUCTION V-BLOCK SET



6899-1

- Hold cylindrical workpieces for inspection and machining
- To be used on magnetic chucks
- Two V-blocks per set
- V groove on the top for large shafts
- V groove on the bottom for small shafts



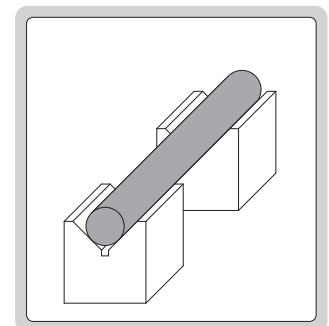
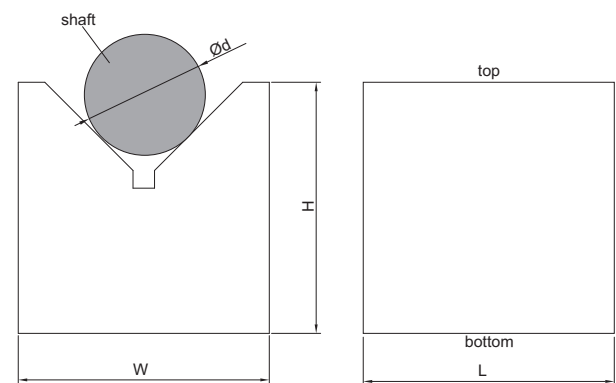
Code	Size(LxWxH)	Range of shafts ($\varnothing d$)	Pole pitch	Parallelism of both V grooves to top, bottom, left and right sides	Height difference of a matched pair
6899-1	50x60x48mm	6 - 50mm	2.5+3mm	10 μ m	10 μ m

GRANITE V-BLOCK SET



6897-1

- Two V-blocks per set



Code	Size(LxWxH)	Range of shafts ($\varnothing d$)	Parallelism of V groove to bottom	Height difference of a matched pair
6897-1	70x70x50mm	6 - 75mm	5 μ m	5 μ m
6897-2	100x70x50mm	6 - 99mm	5 μ m	5 μ m